

ASSEMBLY INSTRUCTION

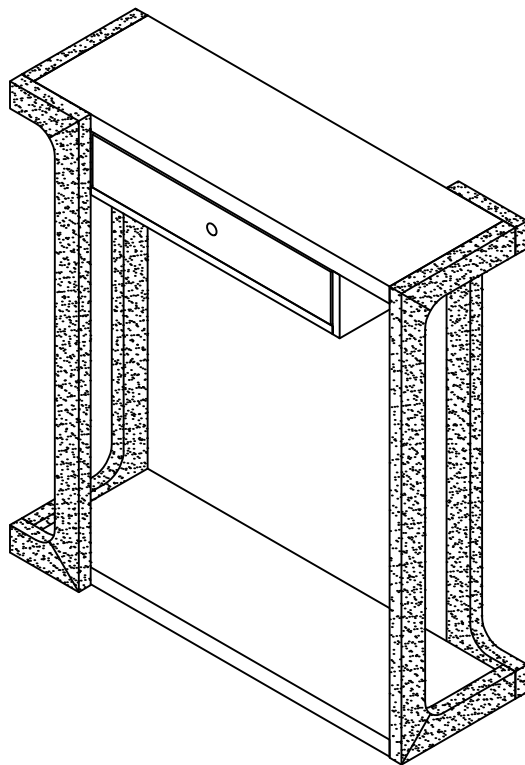
PLEASE READ BEFORE ASSEMBLING!

Tip #1: Make sure you've taken all the pieces and hardware out of its packaging before discarding the box.

Tip #2: Using page 2 and/or page 3 of instruction manual make sure all pieces and hardware are accounted for.

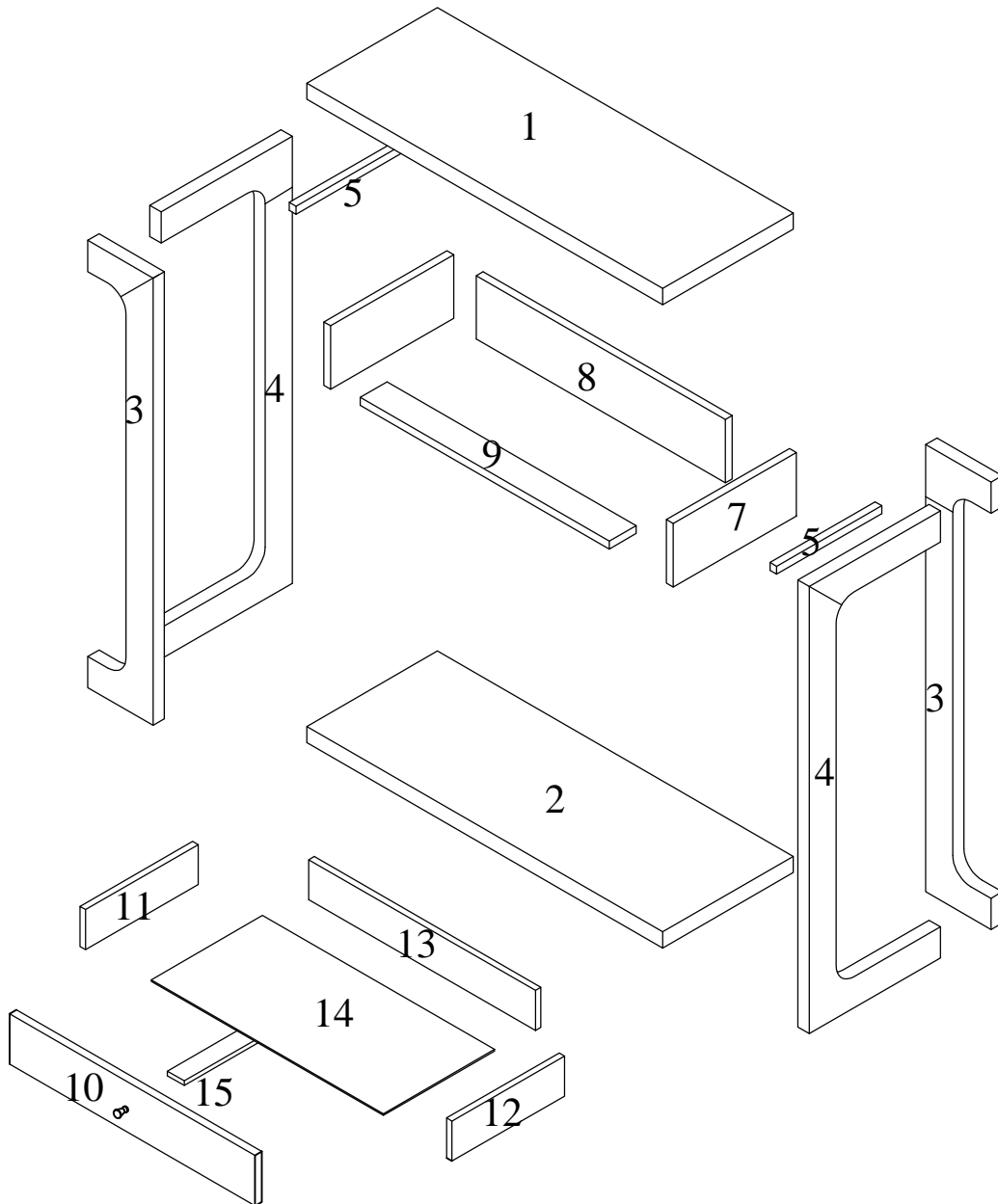
Tip #3: Read manual before assembling, it helps!

ITEM#: 151239



PARTS IDENTIFICATION





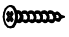
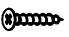

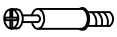




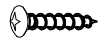
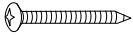
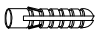


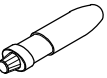
ITEM#: 151239



(1)	1pc	(8)	1pc	(15)	1pc
(2)	1pc	(9)	1pc		
(3)	2pcs	(10)	1pc		
(4)	2pcs	(11)	1pc		
(5)	2pcs	(12)	1pc		
(6)	1pc	(13)	1pc		
(7)	1pc	(14)	1pc		

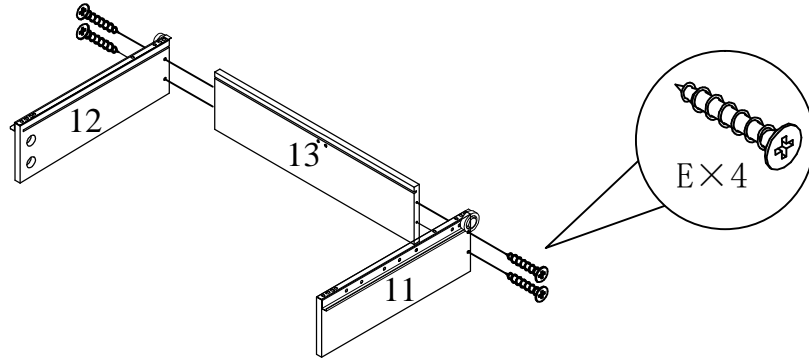
HARDWARE IDENTIFICATION

ITEM#: 151239

A		L29	30pcs
B		∅15	30pcs
C		∅8x25	18pcs
D		∅6x30	2pcs
E		∅4x30	6pcs
F		∅4x35	10pcs
G		∅16	6pcs
H		L20	4pcs
I		∅12	4pcs
J			1pc
K		∅4x22	1pc
L		197x5x1	1pc
M		∅4x25	1pc
N		∅5x40	1pc
O		∅8x40	1pc
P		∅20	2pcs
Q		12x12x1	2pcs
R		Glue: For securing please apply to wood dowel first before inserting into panel	1pc

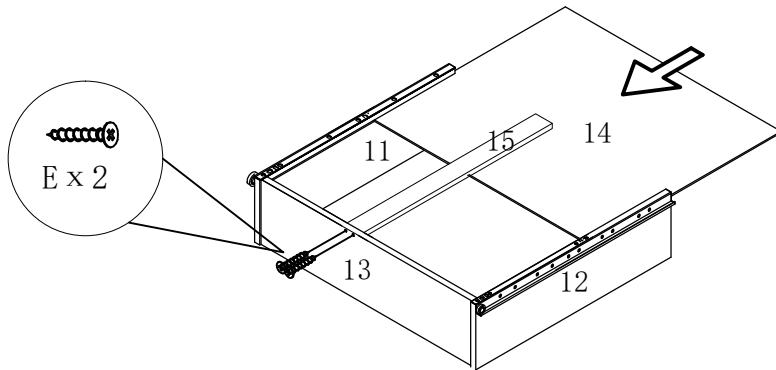
ASSEMBLY INSTRUCTION

ITEM#: 151239

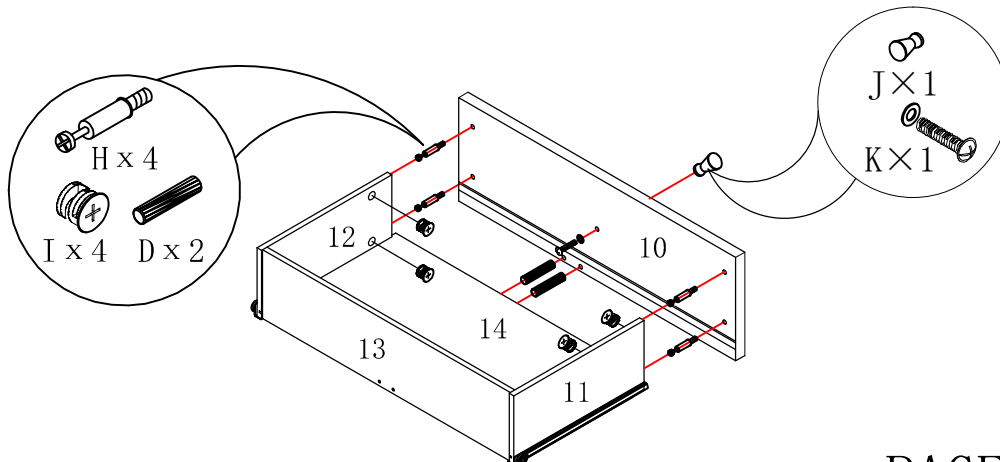


STEP 1

STEP 2



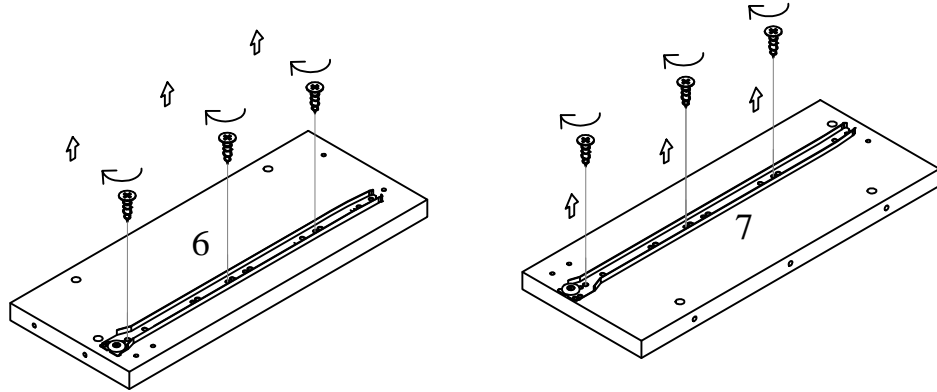
STEP 3



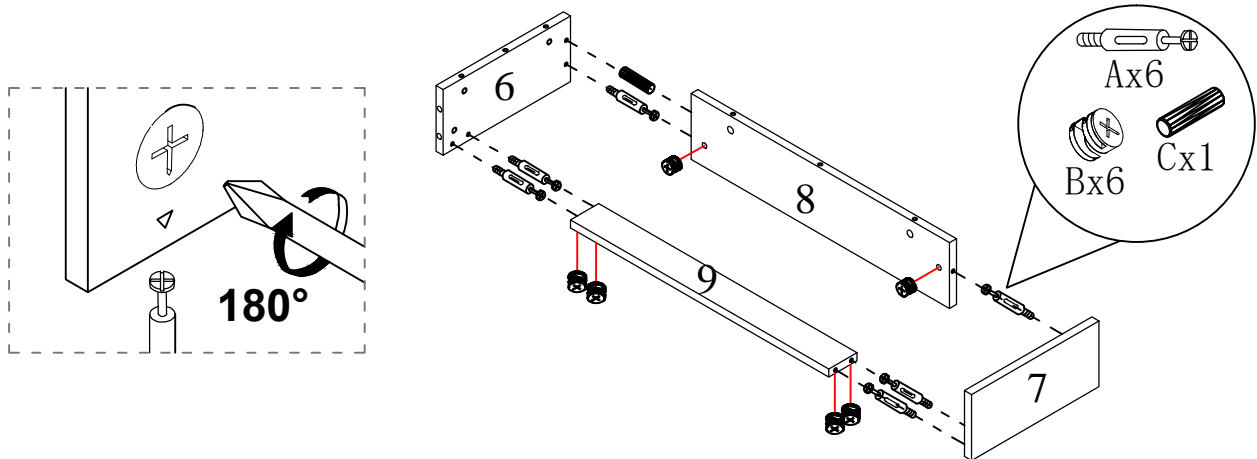
ASSEMBLY INSTRUCTION

ITEM#: 151239

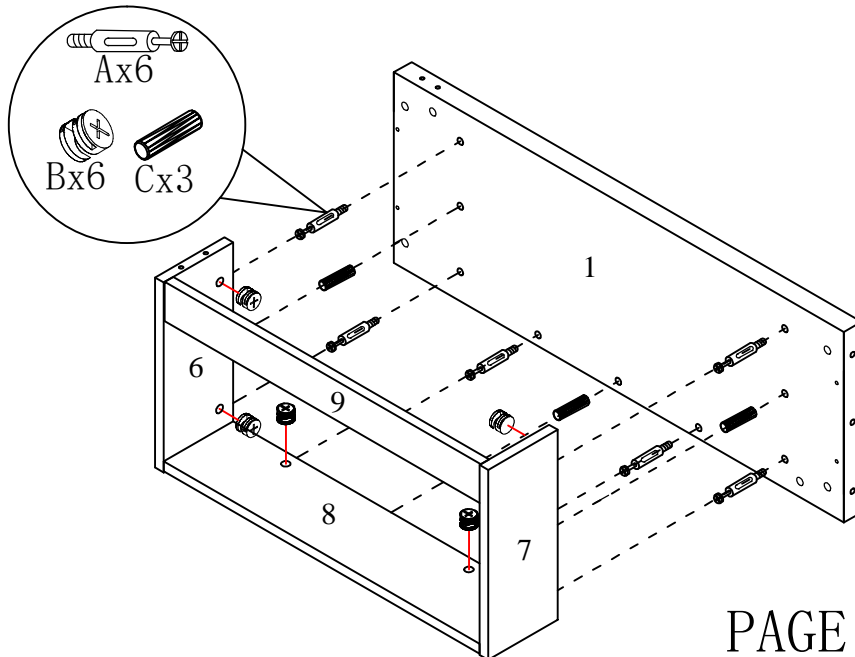
STEP4



STEP5

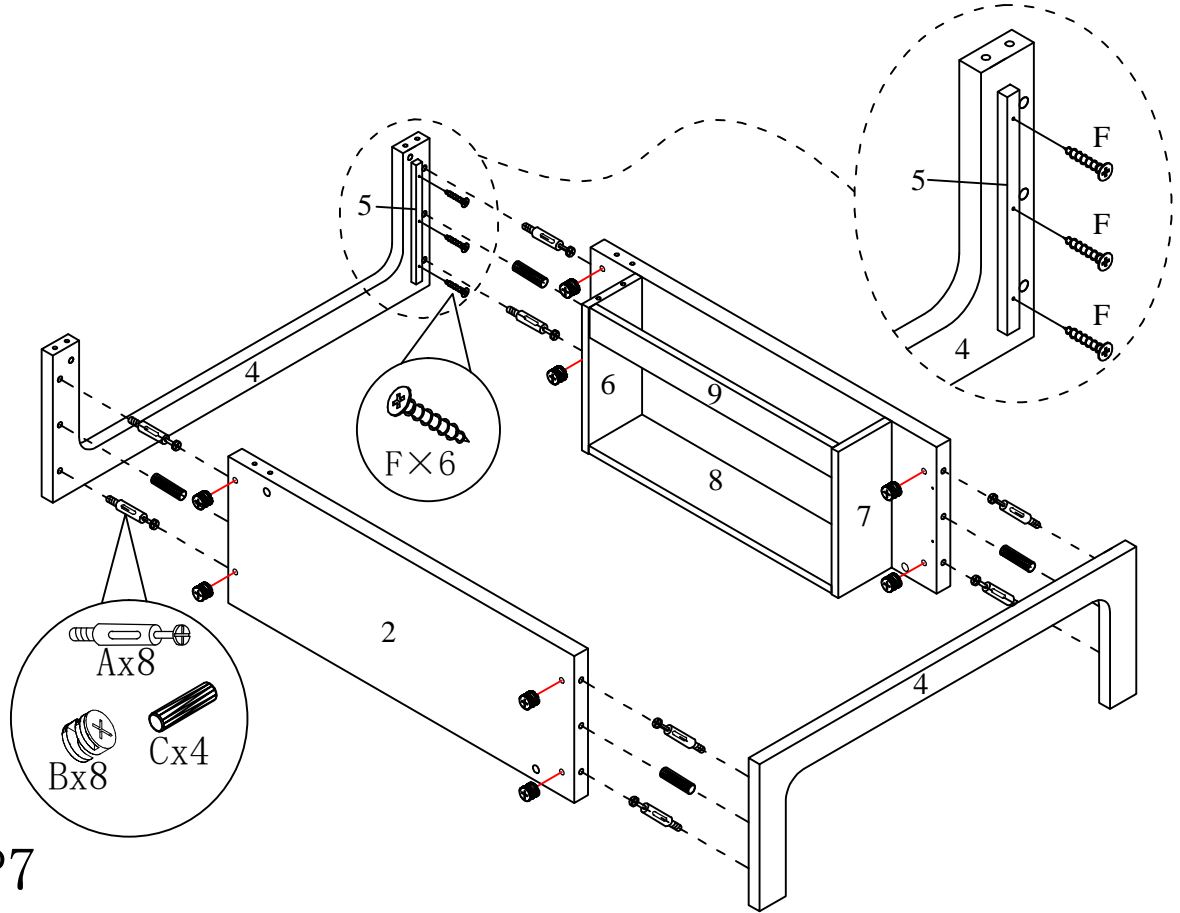


STEP6



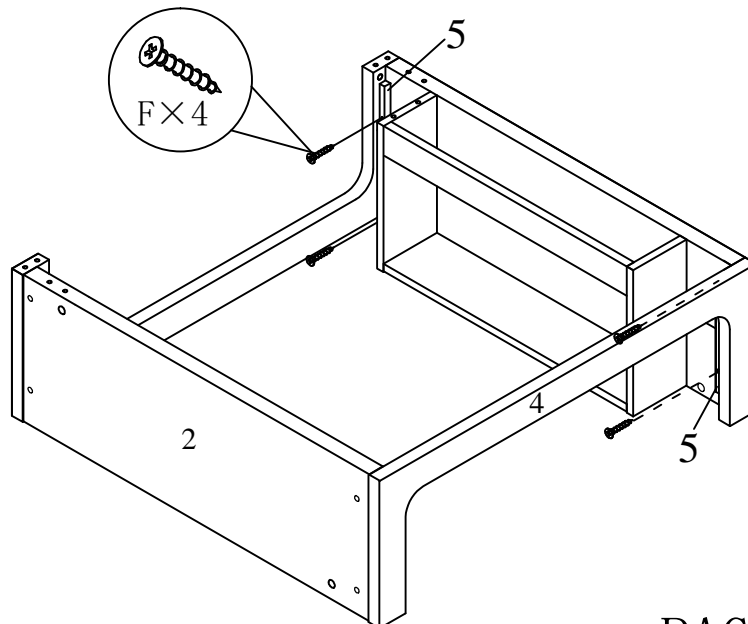
ASSEMBLY INSTRUCTION

ITEM#: 151239



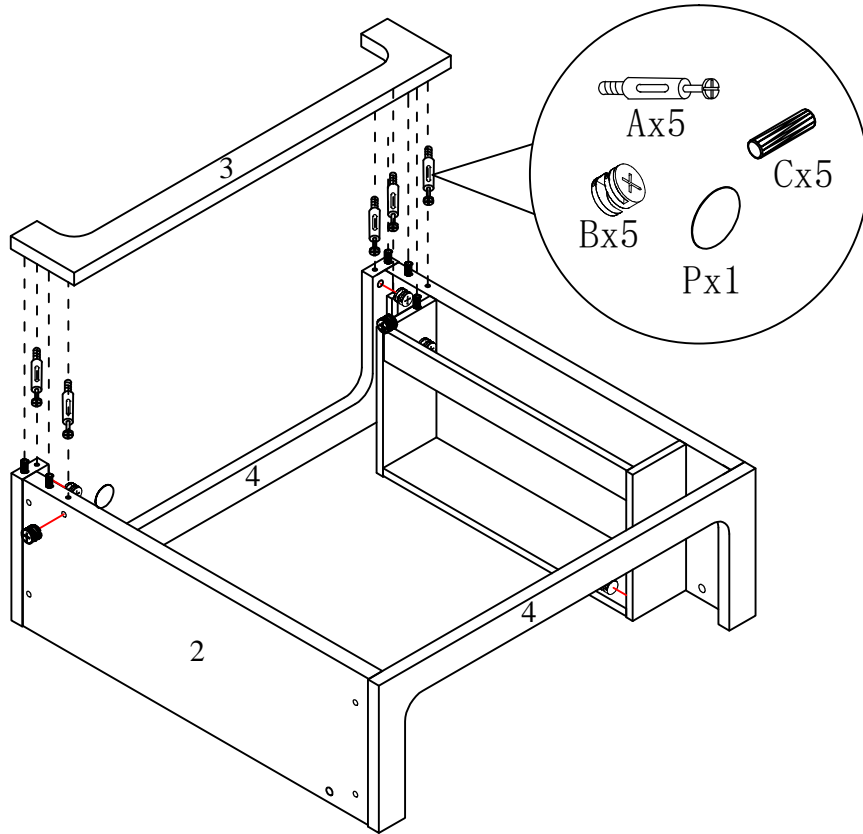
STEP 7

STEP 8



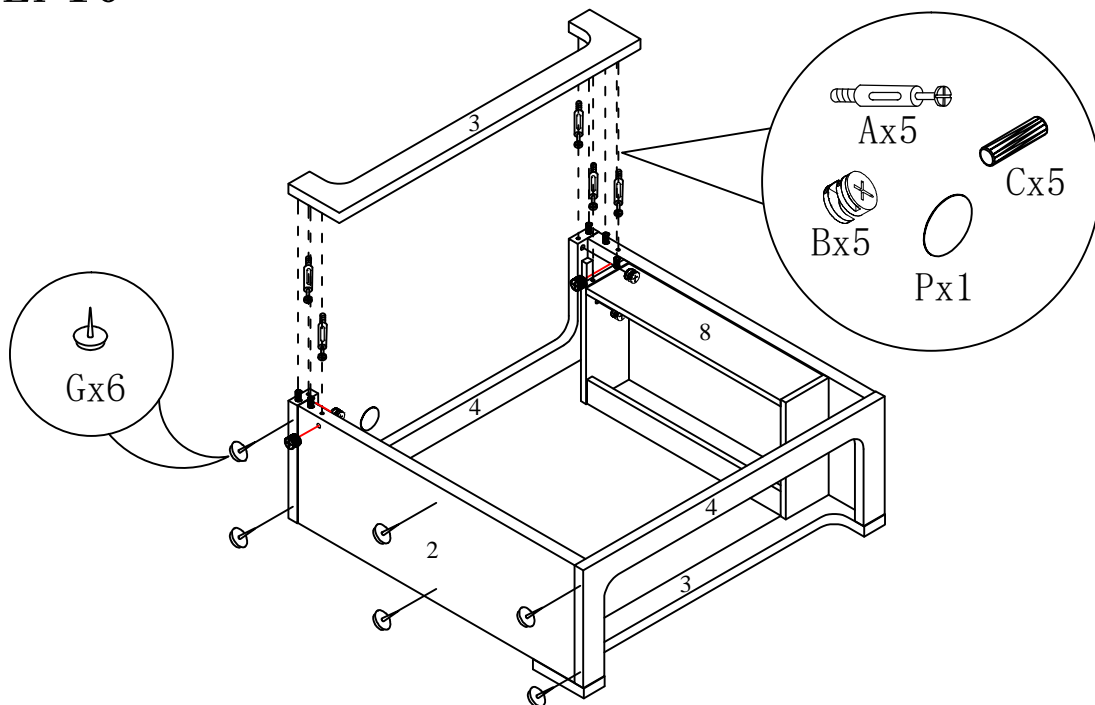
ASSEMBLY INSTRUCTION

ITEM#: 151239



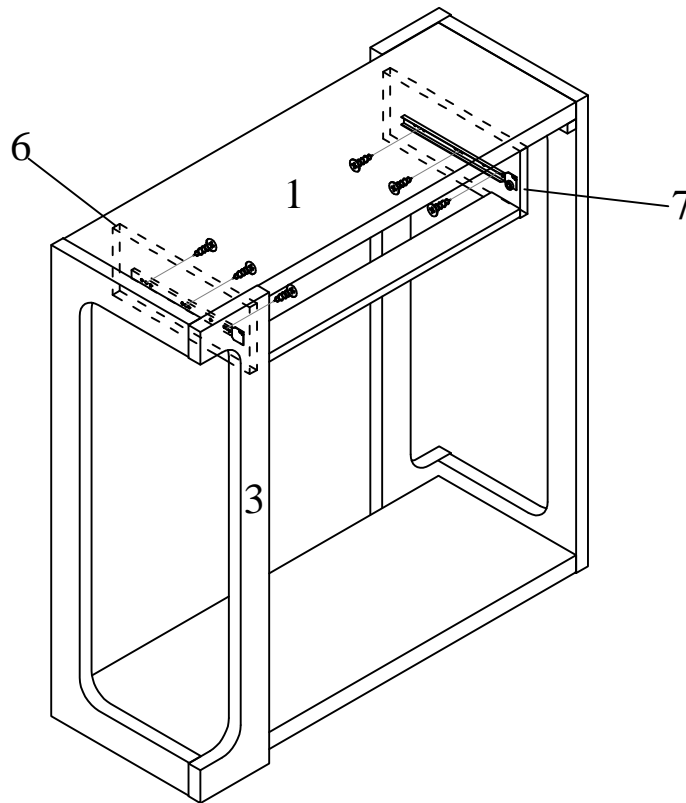
STEP9

STEP10



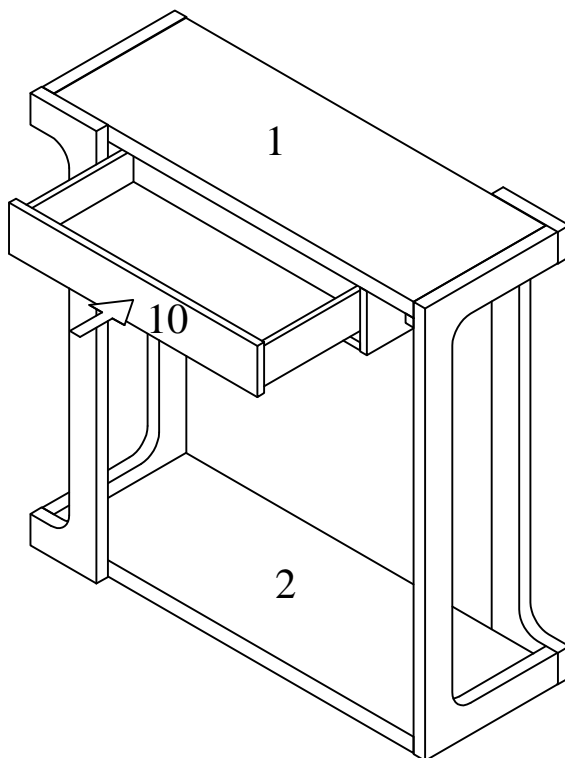
ASSEMBLY INSTRUCTION

ITEM#: 151239



STEP 11

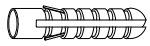
STEP 12



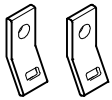
PAGE: 8 OF 8

ANTI-TIPPING STRAP INSTRUCTION

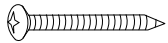
HARDWARE (INCLUDED) :



DRYWALL ANCHOR $\phi 8 \times 40$ X 1PC



METAL BRACKETS $12 \times 12 \times 1$ X 2PCS



DRYWALL SCREW $\phi 5 \times 40$ X 1PC

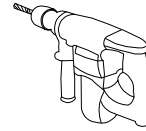


STRAP $197 \times 5 \times 1$ X 1PC



FLATHEAD SCREW $\phi 4 \times 25$ X 1PC

TOOLS NEEDED (NOT INCLUDED) :



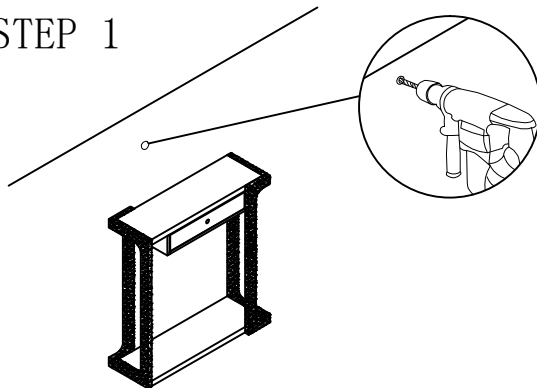
DRILL & DRILL BIT



LIGHT HAMMER

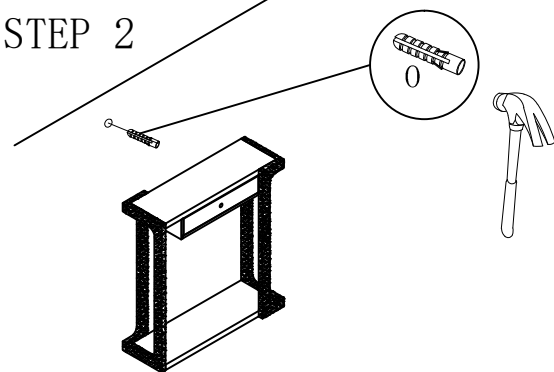
Note: Hardware included only compatible with standard drywalls.

STEP 1



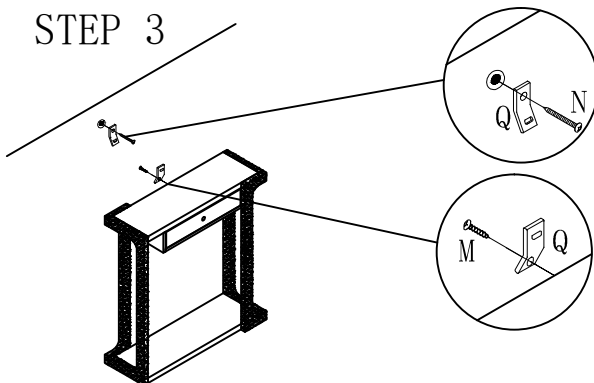
1. Find spot on wall 1" below top of item.
2. Using a drill bit slightly thinner than anchor, drill hole into drywall.

STEP 2



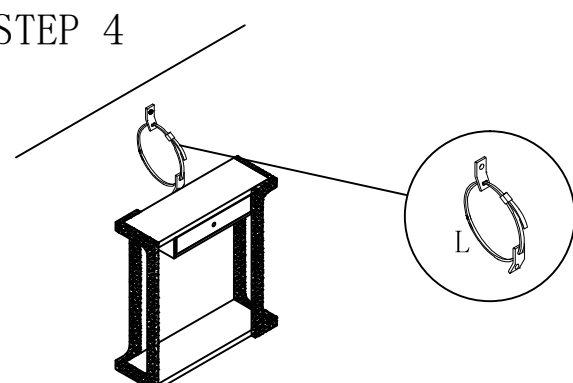
1. Use a light hammer to tap anchor into hole.
2. Anchor should fit snugly. If hole is too small, drill again to increase hole size. Do not force anchor into wall.

STEP 3



1. Insert drywall screw into metal bracket and into drywall anchor.
2. Insert flathead screw into second metal bracket and into back of item along top edge.

STEP 4



1. Insert strap thru bracket attached to wall, then thru bracket on item, and into head of strap.
 2. pull lightly til strap stops.
- Assembly is complete.